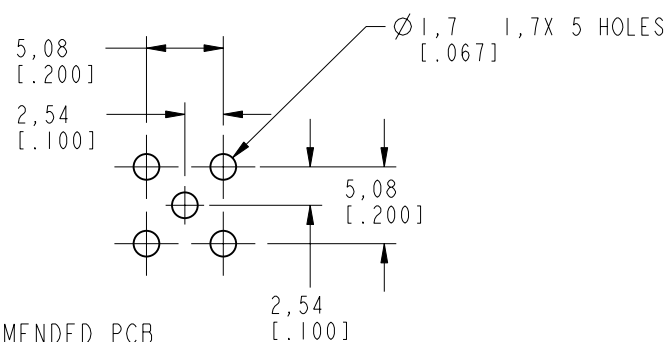
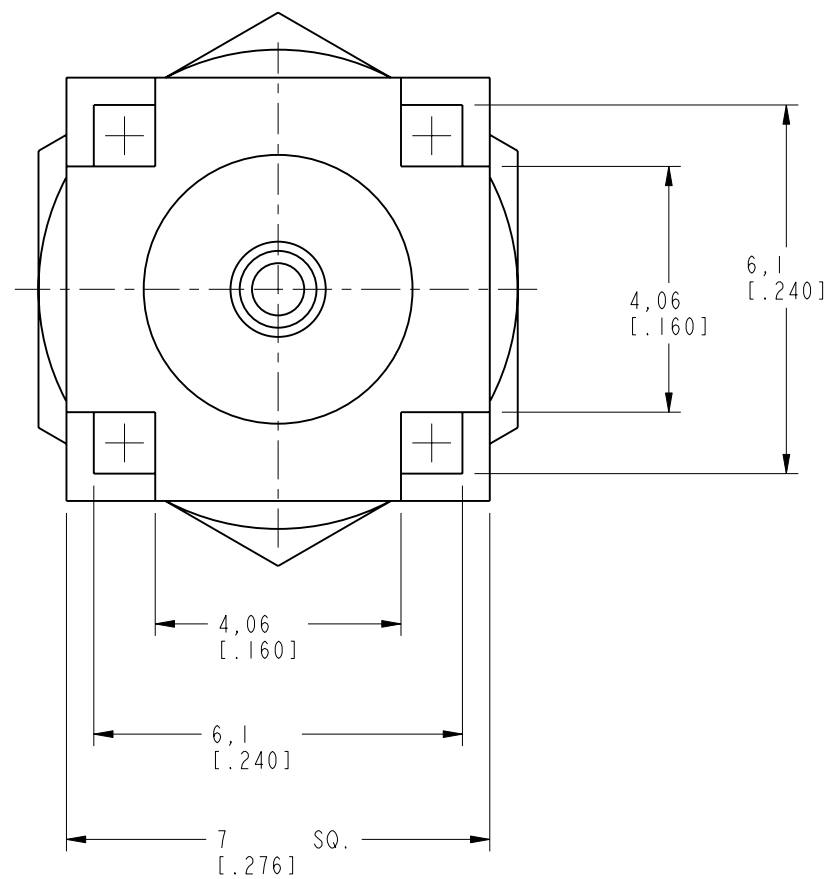
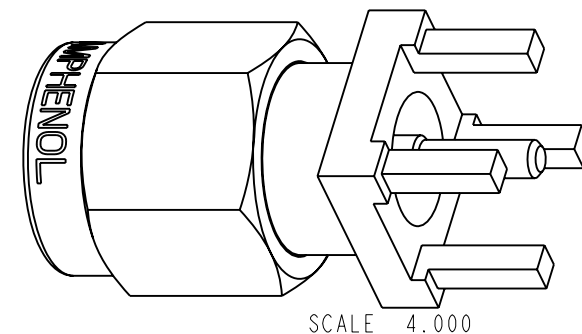
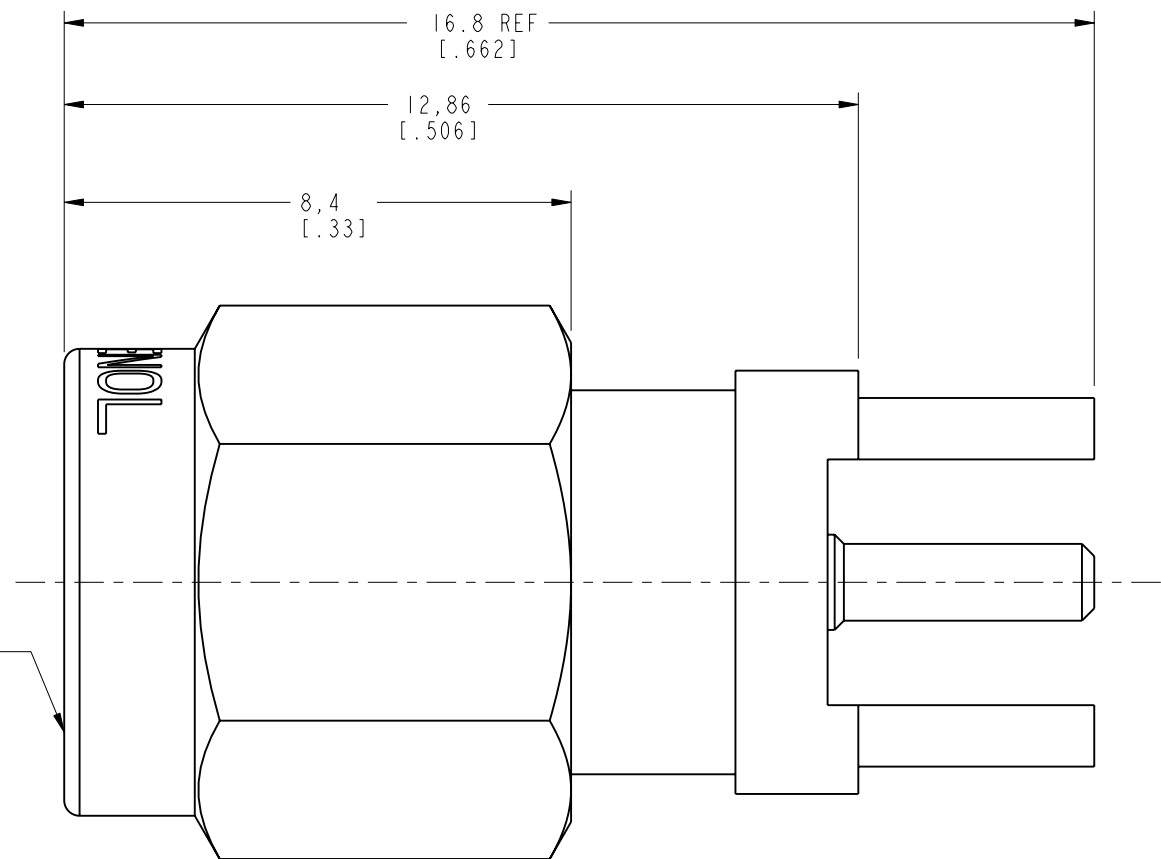


NOTES:

- 1. MATERIALS OF CONSTRUCTION:
 BODY, RING & SHELL = BRASS, GOLD PLATED
 CONTACT PIN = BRASS, GOLD PLATED
 RETAINER RING = BeCu, NATURAL
 INSULATORS (2) = TEFLON, PER MIL-P-19468
 GASKET = SILICONE RUBBER, COLOR RED

901-9895-RFX		REVISIONS			
DRAWING NO.	REV	DESCRIPTION	DATE	ECO	APPR
THIRD ANGLE PROJ.	A	RELEASE TO MFG.	1/25/01	43650	CPM
	B	CHGE Ø HOLES FROM 4 TO 5 OF .067	6/21/07	46595	TC



RECOMMENDED PCB MOUNTING HOLE SCALE 2.000

CUSTOMER OUTLINE DRAWING

ALL OTHER SHEETS ARE FOR INTERNAL USE ONLY

UNLESS OTHERWISE SPECIFIED, DIMENSIONS ARE IN MM (INCHES) AND TOLERANCES ARE:
 0.5 - 6mm ±0.2mm 6 - 30mm ±0.4mm 30 - 120mm ±0.6mm

NOTICE - These drawings, specifications, or other data (1) are, and remain the property of Amphenol Corp. (2) must be returned upon request; and (3) are confidential and not to be disclosed to any person other than those to whom they are given by Amphenol Corp. The furnishing of these drawings, specifications, or other data by Amphenol Corp., or to any other person to anyone for any purpose is not to be regarded by implication or otherwise in any manner licensing, granting rights or permitting such holder or any other person to manufacture, use or sell any product, process or design, patented or otherwise, that may in any way be related to or disclosed by said drawings, specifications, or other data.

MATERIAL	DRAWN	DATE	TITLE
REFERENCE	C. McGRATH	1/10/01	SMA PCB MOUNT PLUG
EAR 967689-0	ENGINEER	DATE	
GEN# 910-144-8RFX_ASSY	O. BARTHELMES	1/10/01	
	APPROVED	DATE	
	O. BARTHELMES	1/25/01	
	CAD FILE		
	I:\SMA\ 901-9895-RFX		

CODE ID	DWG SIZE	DRAWING NO.	REV
74868	B	901-9895-RFX	B

Amphenol	
Amphenol Corporation	
Communication and Network	
Products Division	
Danbury, CT U.S.A. 06810	
SCALE: 8.0:1	SHEET 2 OF 2

Amphenol	
Amphenol Corporation	
Communication and Network	
Products Division	
Danbury, CT U.S.A. 06810	
SCALE: 8.0:1	SHEET 2 OF 2